

# Pluggable Multi-Pole SPD

## SLP40-XXX/2(S)

### Class II • Type 2 • Type 1CA



Location of Use: Sub-Distribution Boards  
 Network Systems: TN-S  
 Mode of Protection: L-PE, N-PE  
 Surge Ratings:  $I_n = 20\text{ kA}$  (8/20  $\mu\text{s}$ )  
 IEC/EN/UL Category: Class II / Type 2 / Type 1CA  
 Protective Elements: High Energy MOV  
 Housing: Pluggable Design  
 Compliance: IEC 61643-11:2011  
 EN 61643-11:2012

#### Technical Data

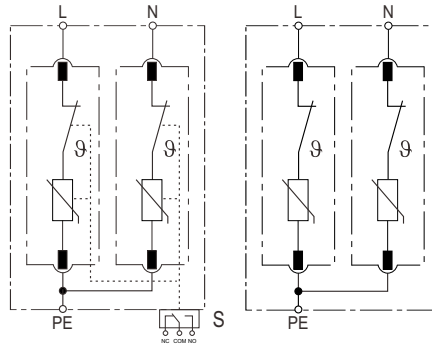
SLP40-XXX/2(S)		75	150	275	320	385	440
<b>IEC Electrical</b>							
Nominal AC Voltage (50/60Hz)	$U_o/U_n$	60 V	120 V	230 V	230 V	230 V	400 V
Maximum Continuous Operating Voltage (AC)	$U_c$	75 V	150 V	275 V	320 V	385 V	440 V
Nominal Discharge Current (8/20 $\mu\text{s}$ )	$I_n$	20 kA	20 kA	20 kA	20 kA	20 kA	20 kA
Maximum Discharge Current (8/20 $\mu\text{s}$ )	$I_{max}$	40 kA	40 kA	40 kA	40 kA	40 kA	40 kA
Voltage Protection Level	$U_p$	400 V	1000 V	1500 V	1600 V	1800 V	2000 V
Response Time	$t_A$	< 25 ns					
Back-Up Fuse (max)		125 A gL / gG					
Short-Circuit Current Rating (AC)	$I_{SCCR}$	25 kA / 50 kA					
TOV Withstand 5s	$U_T$	90V	180V	335V	335V	335V	580V
TOV 120min	$U_T$	115V	230V	440V	440V	440V	765V
	mode	Withstand	Withstand	Safe Fail	Safe Fail	Safe Fail	Safe Fail
Number of Ports		1					
<b>Mechanical &amp; Environmental</b>							
Operating Temperature Range	$T_a$	-40 °F to +158 °F [-40 °C to +70 °C]					
Permissible Operating Humidity	RH	5%...95%					
Atmospheric pressure and altitude		80k Pa ... 106k Pa / -500 m ... 2000 m					
Terminal Screw Torque	$M_{max}$	39.9 lbf-in [4.5 Nm]					
Conductor Cross Section (max)		2 AWG (Solid, Stranded) / 4 AWG (Flexible) 35 mm <sup>2</sup> (Solid, Stranded) / 25 mm <sup>2</sup> (Flexible)					
Mounting		35 mm DIN Rail, EN 60715					
Degree of Protection		IP 20 (built-in)					
Housing Material		Thermoplastic: Extinguishing Degree UL 94 V-0					
Thermal Protection		Yes					
Operating State / Fault Indication		Green ok / Red defect					
Remote Contacts (RC)		Optional					
RC Switching Capacity		AC: 250V/0.5A; DC: 250V/0.1A; 125V/0.2A; 75V/0.5A					
RC Conductor Cross Section (max)		16 AWG (Solid) / 1.5 mm <sup>2</sup> (Solid)					
<b>Order Information</b>							
Order Code		75	150	275	320	385	440
SLP40-XXX/2		4007521	4015021	4027521	4032021	4038521	4044021
SLP40-XXX/2S (with remote contacts)		4007522	4015022	4027522	4032022	4038522	4044022
SLP40-XXX/0 (spare modules)		4007501	4015001	4027501	4032001	4038501	4044001

## SLP40-XXX/2(S)

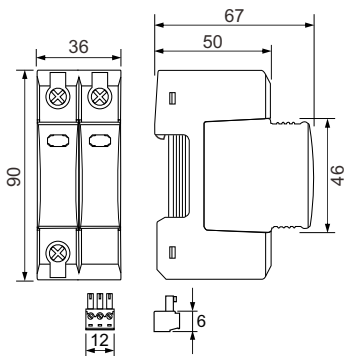
### Internal Configuration

#### Legend

- L Line
- N Neutral
- PE Protective Earth
- S Signalling Contacts Optional



### Dimensions & Packaging

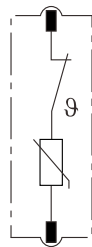


#### Dimensions & Packaging

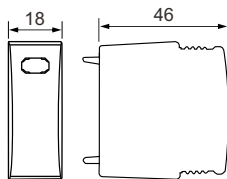
SLP40-XXX/2(S)	75	150	275	320	385	440
Single Unit DIN 43880 Dimension	1 CTN					
Packaging Dimensions (HxWxL)	[270 x 230 x 330 mm]					
Minimum Order Quantity	42 Units					

### Plug Internal Configuration

#### SLP40-XXX/0



### Dimensions & Packaging

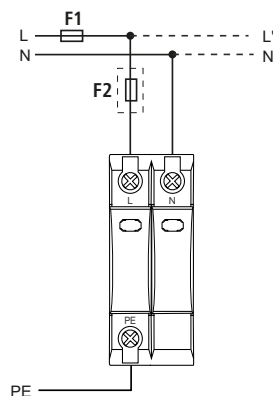


#### Dimensions & Packaging

SLP40-XXX/0	75	150	275	320	385	440
Single Unit DIN 43880 Dimension	1 CTN					
Packaging Dimensions (HxWxL)	[270 x 230 x 330 mm]					
Minimum Order Quantity	96 Units					

### Connection Diagram

#### TN-S (Single-phase, 2+0)



# Pluggable Multi-Pole SPD

## SLP40-XXX/4(S)

### Class II • Type 2 • Type 1CA



Location of Use: Sub-Distribution Boards  
 Network Systems: TN-S  
 Mode of Protection: L-PE, N-PE  
 Surge Ratings:  $I_n = 20\text{ kA (8/20 }\mu\text{s)}$   
 IEC/EN/UL Category: Class II / Type 2 / Type 1CA  
 Protective Elements: High Energy MOV  
 Housing: Pluggable Design  
 Compliance: IEC 61643-11:2011  
 EN 61643-11:2012

#### Technical Data

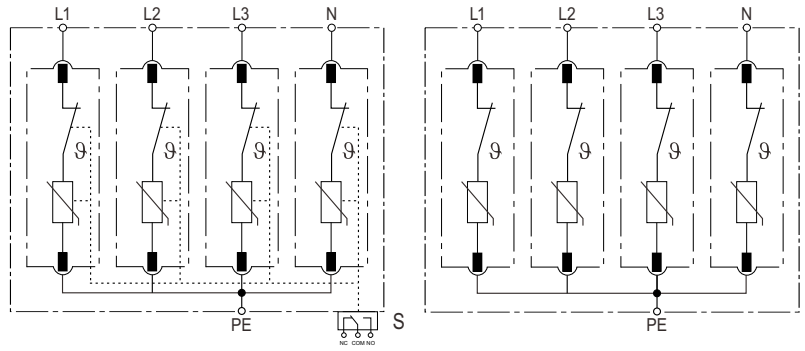
SLP40-XXX/4(S)		150	275	320	385	440
<b>IEC Electrical</b>						
Nominal AC Voltage (50/60Hz)	$U_o/U_n$	120 V	230 V	230 V	230 V	400 V
Maximum Continuous Operating Voltage (AC)	$U_c$	150 V	275 V	320 V	385 V	440 V
Nominal Discharge Current (8/20 $\mu\text{s}$ )	$I_n$	20 kA	20 kA	20 kA	20 kA	20 kA
Maximum Discharge Current (8/20 $\mu\text{s}$ )	$I_{max}$	40 kA	40 kA	40 kA	40 kA	40 kA
Voltage Protection Level	$U_p$	1000 V	1500 V	1600 V	1800 V	2000 V
Response Time	$t_A$	< 25 ns				
Back-Up Fuse (max)		125 A gL / gG				
Short-Circuit Current Rating (AC)	$I_{SCCR}$	25 kA / 50 kA				
TOV Withstand 5s	$U_T$	180V	335V	335V	335V	580V
TOV 120min	$U_T$	230V	440V	440V	440V	765V
	mode	Withstand	Safe Fail	Safe Fail	Safe Fail	Safe Fail
Number of Ports		1				
<b>Mechanical &amp; Environmental</b>						
Operating Temperature Range	$T_a$	-40 °F to +158 °F [-40 °C to +70 °C]				
Permissible Operating Humidity	RH	5%...95%				
Atmospheric pressure and altitude		80k Pa ... 106k Pa / -500 m ... 2000 m				
Terminal Screw Torque	$M_{max}$	39.9 lbf-in [4.5 Nm]				
Conductor Cross Section (max)		2 AWG (Solid, Stranded) / 4 AWG (Flexible) 35 mm <sup>2</sup> (Solid, Stranded) / 25 mm <sup>2</sup> (Flexible)				
Mounting		35 mm DIN Rail, EN 60715				
Degree of Protection		IP 20 (built-in)				
Housing Material		Thermoplastic: Extinguishing Degree UL 94 V-0				
Thermal Protection		Yes				
Operating State / Fault Indication		Green ok / Red defect				
Remote Contacts (RC)		Optional				
RC Switching Capacity		AC: 250V/0.5A; DC: 250V/0.1A; 125V/0.2A; 75V/0.5A				
RC Conductor Cross Section (max)		16 AWG (Solid) / 1.5 mm <sup>2</sup> (Solid)				
<b>Order Information</b>						
Order Code		150	275	320	385	440
SLP40-XXX/4		4015041	4027541	4032041	4038541	4044041
SLP40-XXX/4S (with remote contacts)		4015042	4027542	4032042	4038542	4044042
SLP40-XXX/0 (spare modules)		4015001	4027501	4032001	4038501	4044001

## SLP40-XXX/4(S)

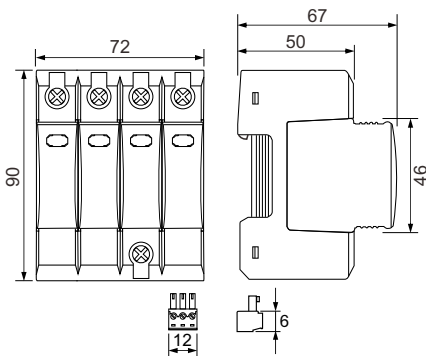
### Internal Configuration

#### Legend

- L Line
- N Neutral
- PE Protective Earth
- S Signalling Contacts Optional



### Dimensions & Packaging

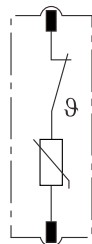


#### Dimensions & Packaging

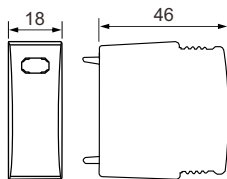
SLP40-XXX/4(S)	150	275	320	385	440
Single Unit DIN 43880 Dimension	1 CTN				
Packaging Dimensions (HxWxL)	[270 × 230 × 330 mm]				
Minimum Order Quantity	24 Units				

### Plug Internal Configuration

#### SLP40-XXX/0



### Dimensions & Packaging



#### Dimensions & Packaging

SLP40-XXX/0	150	275	320	385	440
Single Unit DIN 43880 Dimension	1 CTN				
Packaging Dimensions (HxWxL)	[270 × 230 × 330 mm]				
Minimum Order Quantity	96 Units				

### Connection Diagram

#### TN-S (Three-phase, 4+0)

