

Pluggable Multi-Pole SPD FLP12.5-XXX/2(S)

Class I • Class II • Type 1 • Type 2 • Type 1CA



Location of Use: Main Distribution Boards
 Network Systems: TN-S
 Mode of Protection: L-PE, N-PE
 Surge Ratings: I_{imp} = up to 12.5 kA (10/350 μ s)
 I_n = up to 20kA (8/20 μ s)
 IEC/EN/UL Category: Class I+II / Type 1+2 / Type 1CA
 Protective Elements: High Energy MOV
 Housing: Pluggable Design
 Compliance: IEC 61643-11:2011
 EN 61643-11:2012

Technical Data

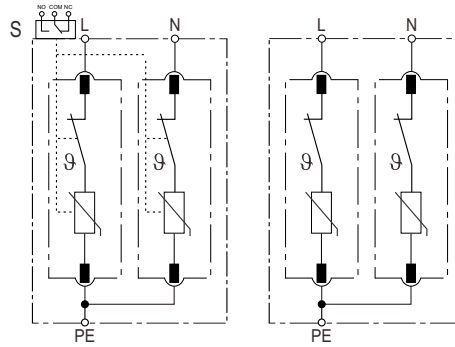
FLP12.5-XXX/2(S)		75	150	275	320	385	440
IEC Electrical							
Nominal AC Voltage (50/60Hz)	U_o/U_n	60 V	120 V	230 V	230 V	230 V	400 V
Maximum Continuous Operating Voltage (AC)	U_c	75 V	150 V	275 V	320 V	385 V	440 V
Nominal Discharge Current (8/20 μ s)	I_n	20 kA	20 kA	20 kA	20 kA	10 kA	10 kA
Maximum Discharge Current (8/20 μ s)	I_{max}	50 kA	50 kA	50 kA	50 kA	50 kA	50 kA
Impulse Discharge Current (10/350 μ s)	I_{imp}	12.5 kA	12.5 kA	12.5 kA	12.5 kA	10 kA	10 kA
Specific Energy	W/R	39 kJ/ Ω	39 kJ/ Ω	39 kJ/ Ω	39 kJ/ Ω	25 kJ/ Ω	25 kJ/ Ω
Charge	Q	6.25 As	6.25 As	6.25 As	6.25 As	5 As	5 As
Voltage Protection Level	U_p	700 V	1000 V	1500 V	1600 V	1800 V	2000 V
Response Time	t_A	< 25 ns					
Back-Up Fuse (max)		315 A / 250 A gG					
Short-Circuit Current Rating (AC)	I_{SCCR}	25 kA / 50 kA					
TOV Withstand 5s	U_T	114V	180V	335V	335V	335V	580V
TOV 120min	U_T	114V	230V	440V	440V	440V	765V
	mode	Withstand	Safe Fail	Safe Fail	Safe Fail	Safe Fail	Safe Fail
Number of Ports		1					
Mechanical & Environmental							
Operating Temperature Range	T_a	-40 °F to +158 °F [-40 °C to +70 °C]					
Permissible Operating Humidity	RH	5%...95%					
Atmospheric pressure and altitude		80k Pa ... 106k Pa / -500 m ... 2000 m					
Terminal Screw Torque	M_{max}	39.9 lbf-in [4.5 Nm]					
Conductor Cross Section (max)		2 AWG (Solid, Stranded) / 4 AWG (Flexible) 35 mm ² (Solid, Stranded) / 25 mm ² (Flexible)					
Mounting		35 mm DIN Rail, EN 60715					
Degree of Protection		IP 20 (built-in)					
Housing Material		Thermoplastic: Extinguishing Degree UL 94 V-0					
Thermal Protection		Yes					
Operating State / Fault Indication		Green ok / Red defect					
Remote Contacts (RC)		Optional					
RC Switching Capacity		AC: 250V/0.5A; DC: 250V/0.1A; 125V/0.2A; 75V/0.5A					
RC Conductor Cross Section (max)		16 AWG (Solid) / 1.5 mm ² (Solid)					
Order Information							
Order Code		75	150	275	320	385	440
FLP12.5-XXX/2		1207521	1215021	1227521	1232021	1238521	1244021
FLP12.5-XXX/2S (with remote contacts)		1207522	1215022	1227522	1232022	1238522	1244022
FLP12.5-XXX/0 (spare modules)		1207501	1215001	1227501	1232001	1238501	1244001

FLP12.5-XXX/2(S)

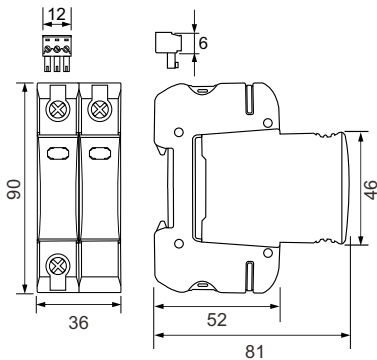
Internal Configuration

Legend

- L Line
- N Neutral
- PE Protective Earth
- S Signalling Contacts Optional



Dimensions & Packaging

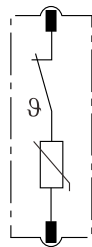


Dimensions & Packaging

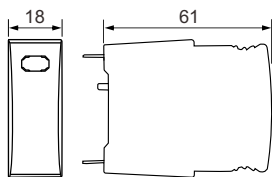
FLP12.5-XXX/2(S)	75	150	275	320	385	440
Single Unit DIN 43880 Dimension	1 CTN					
Packaging Dimensions (HxWxL)	[200 x 230 x 330 mm]					
Minimum Order Quantity	28 Units					

Plug Internal Configuration

FLP12.5-XXX/0



Dimensions & Packaging

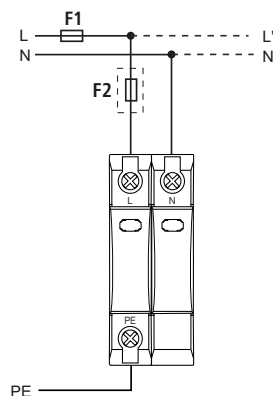


Dimensions & Packaging

FLP12.5-XXX/0	75	150	275	320	385	440
Single Unit DIN 43880 Dimension	1 CTN					
Packaging Dimensions (HxWxL)	[200 x 230 x 330 mm]					
Minimum Order Quantity	64 Units					

Connection Diagram

TN-S (Single-phase, 2+0)



Pluggable Multi-Pole SPD FLP12.5-XXX/4(S)

Class I • Class II • Type 1 • Type 2 • Type 1CA



Location of Use: Main Distribution Boards
 Network Systems: TN-S
 Mode of Protection: L-PE, N-PE
 Surge Ratings: I_{imp} = up to 12.5 kA (10/350 μ s)
 I_n = up to 20kA (8/20 μ s)
 IEC/EN/UL Category: Class I+II / Type 1+2 / Type 1CA
 Protective Elements: High Energy MOV
 Housing: Pluggable Design
 Compliance: IEC 61643-11:2011
 EN 61643-11:2012

Technical Data

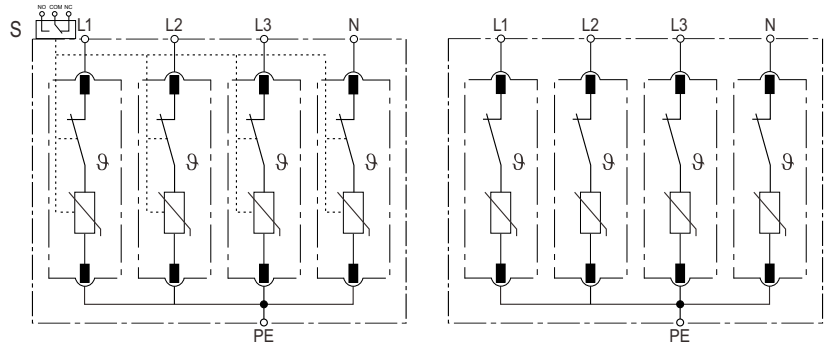
FLP12.5-XXX/4(S)		150	275	320	385	440
IEC Electrical						
Nominal AC Voltage (50/60Hz)	U_o/U_n	120 V	230 V	230 V	230 V	400 V
Maximum Continuous Operating Voltage (AC)	U_c	150 V	275 V	320 V	385 V	440 V
Nominal Discharge Current (8/20 μ s)	I_n	20 kA	20 kA	20 kA	10 kA	10 kA
Maximum Discharge Current (8/20 μ s)	I_{max}	50 kA	50 kA	50 kA	50 kA	50 kA
Impulse Discharge Current (10/350 μ s)	I_{imp}	12.5 kA	12.5 kA	12.5 kA	10 kA	10 kA
Specific Energy	W/R	39 kJ/ Ω	39 kJ/ Ω	39 kJ/ Ω	25 kJ/ Ω	25 kJ/ Ω
Charge	Q	6.25 As	6.25 As	6.25 As	5 As	5 As
Voltage Protection Level	U_p	1000 V	1500 V	1600 V	1800 V	2000 V
Response Time	t_A			< 25 ns		
Back-Up Fuse (max)				315 A / 250 A gG		
Short-Circuit Current Rating (AC)	I_{SCCR}			25 kA / 50 kA		
TOV Withstand 5s	U_T	180V	335V	335V	335V	580V
TOV 120min	U_T	230V	440V	440V	440V	765V
	mode	Safe Fail	Safe Fail	Safe Fail	Safe Fail	Safe Fail
Number of Ports				1		
Mechanical & Environmental						
Operating Temperature Range	T_a	-40 °F to +158 °F [-40 °C to +70 °C]				
Permissible Operating Humidity	RH	5%...95%				
Atmospheric pressure and altitude		80k Pa ... 106k Pa / -500 m ... 2000 m				
Terminal Screw Torque	M_{max}	39.9 lbf-in [4.5 Nm]				
Conductor Cross Section (max)		2 AWG (Solid, Stranded) / 4 AWG (Flexible) 35 mm ² (Solid, Stranded) / 25 mm ² (Flexible)				
Mounting		35 mm DIN Rail, EN 60715				
Degree of Protection		IP 20 (built-in)				
Housing Material		Thermoplastic: Extinguishing Degree UL 94 V-0				
Thermal Protection		Yes				
Operating State / Fault Indication		Green ok / Red defect				
Remote Contacts (RC)		Optional				
RC Switching Capacity		AC: 250V/0.5A; DC: 250V/0.1A; 125V/0.2A; 75V/0.5A				
RC Conductor Cross Section (max)		16 AWG (Solid) / 1.5 mm ² (Solid)				
Order Information						
Order Code		150	275	320	385	440
FLP12.5-XXX/4		1215041	1227541	1232041	1238541	1244041
FLP12.5-XXX/4S (with remote contacts)		1215042	1227542	1232042	1238542	1244042
FLP12.5-XXX/0 (spare modules)		1215001	1227501	1232001	1238501	1244001

FLP12.5-XXX/4(S)

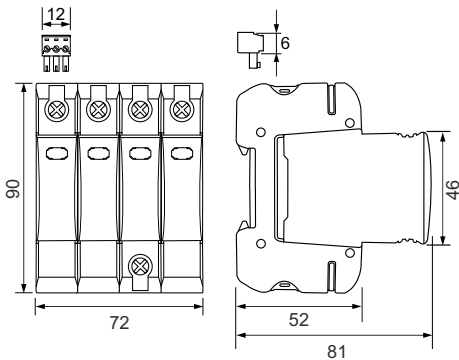
Internal Configuration

Legend

- L Line
- N Neutral
- PE Protective Earth
- S Signalling Contacts Optional



Dimensions & Packaging

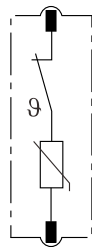


Dimensions & Packaging

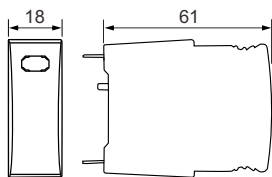
FLP12.5-XXX/4(S)	150	275	320	385	440
Single Unit DIN 43880 Dimension	1 CTN				
Packaging Dimensions (HxWxL)	[200 × 230 × 330 mm]				
Minimum Order Quantity	16 Units				

Plug Internal Configuration

FLP12.5-XXX/0



Dimensions & Packaging



Dimensions & Packaging

FLP12.5-XXX/0	150	275	320	385	440
Single Unit DIN 43880 Dimension	1 CTN				
Packaging Dimensions (HxWxL)	[200 × 230 × 330 mm]				
Minimum Order Quantity	64 Units				

Connection Diagram

TN-S (Three-phase, 4+0)

